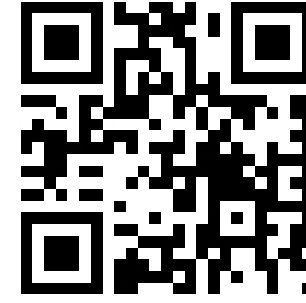


SPIDERKIT MS 300

**FORMWORK
SCAFFOLDING
SYSTEMS
2021**

SINCE'96



Web



Youtube



References

HEADQUARTERS

Factory : Dilovası Mermerciler Sanayi Sitesi 3. Cd. No:40 Köşeler Köyü
Dilovası / KOCAELİ / TÜRKİYE

Phone : +90 262 742 06 37
Fax : +90 262 742 08 37
Web : ozleriskele.com
e-mail : info@ozleriskele.com

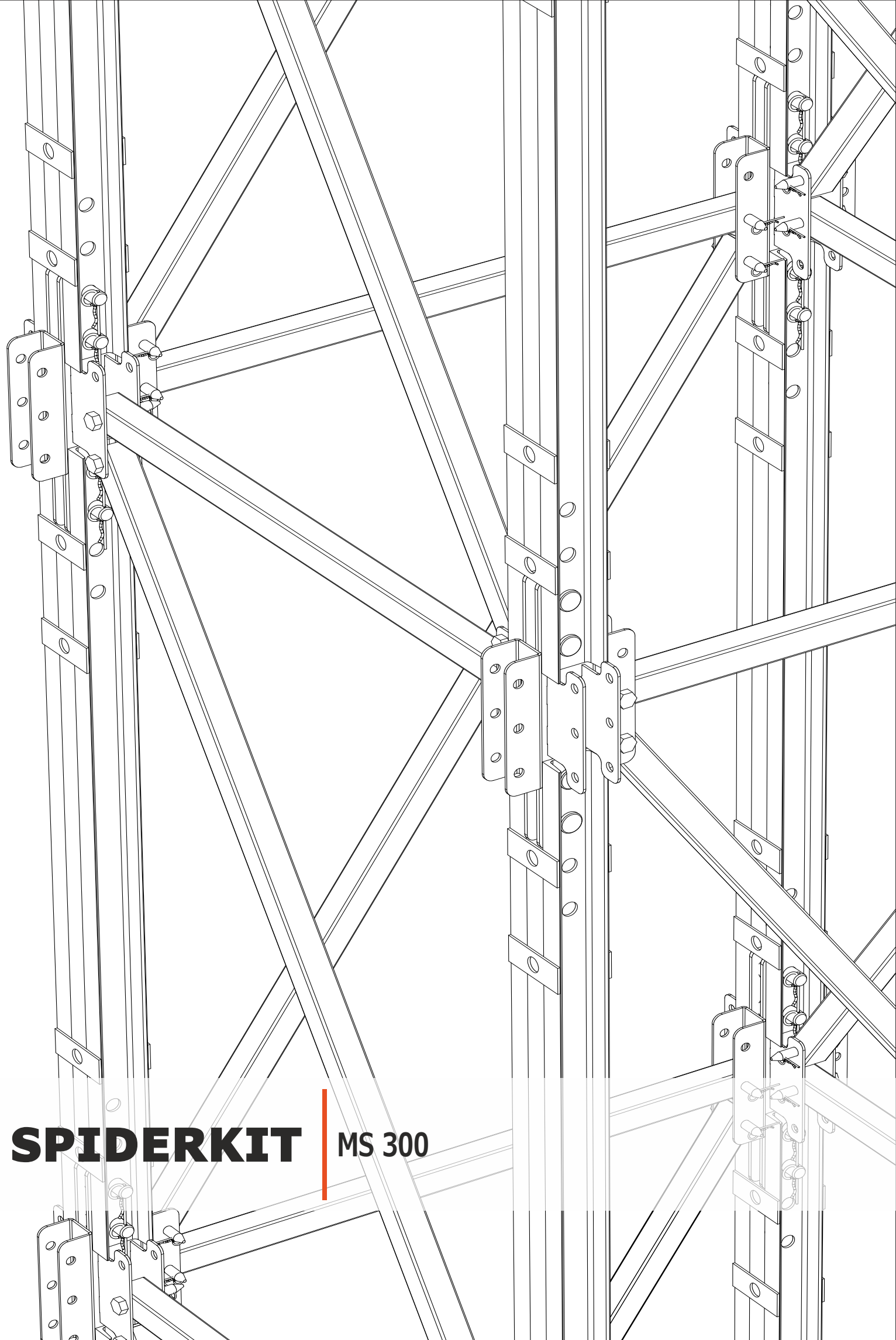
KUWAIT PARTNER / MUTEB AL KHURAINAJ & SONS FOR GENERAL TRADING & CONTRACTING COMPANY

Office : 11th Floor , Ahmad Towers, Arabian Gulf Street, Sharq, Kuwait City

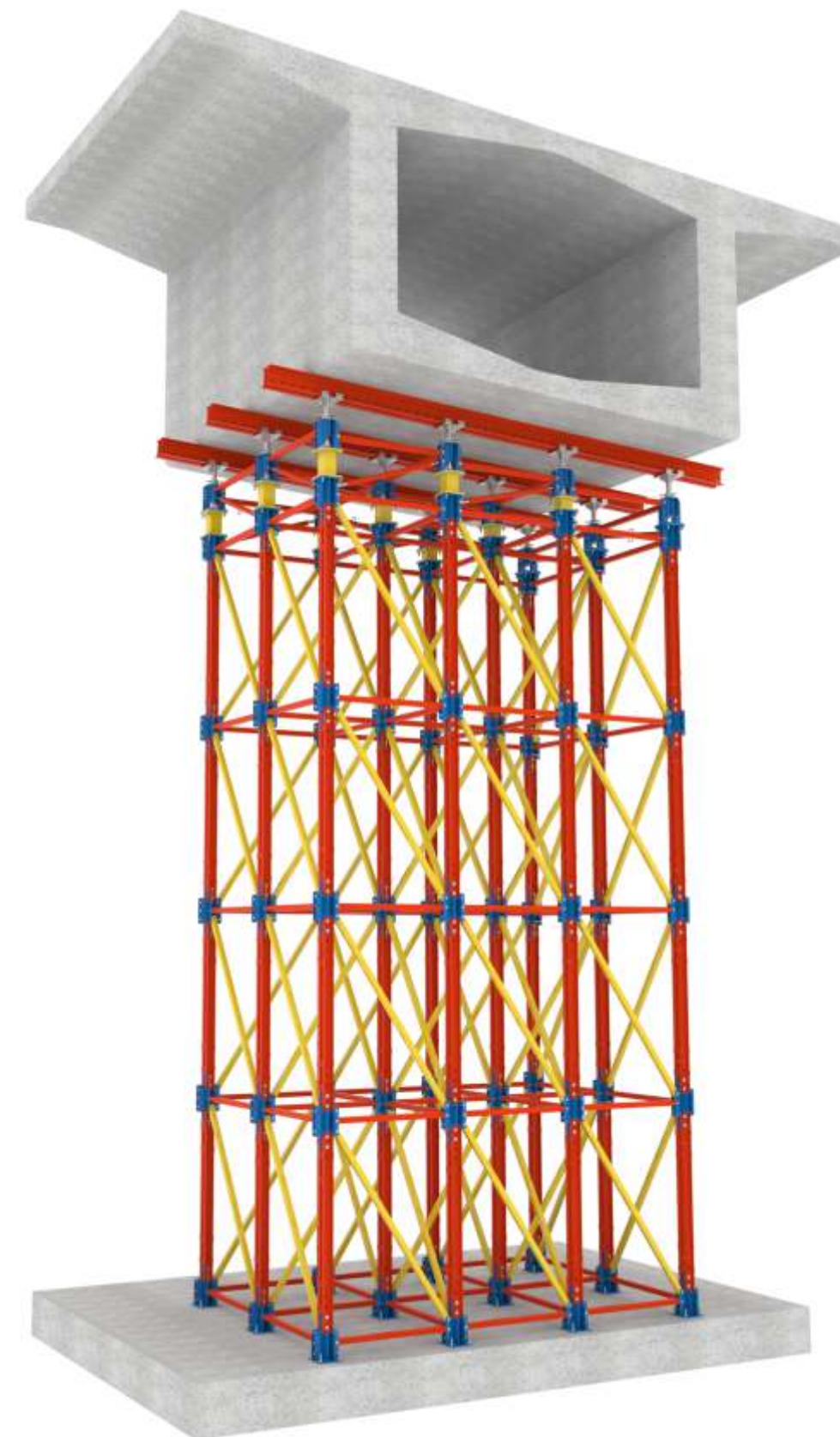
Phone : +965 2228 5301 / 3
Fax : +965 2228 5302 / 4
Web : maks-kw.com
e-mail : info@maks-kw.com

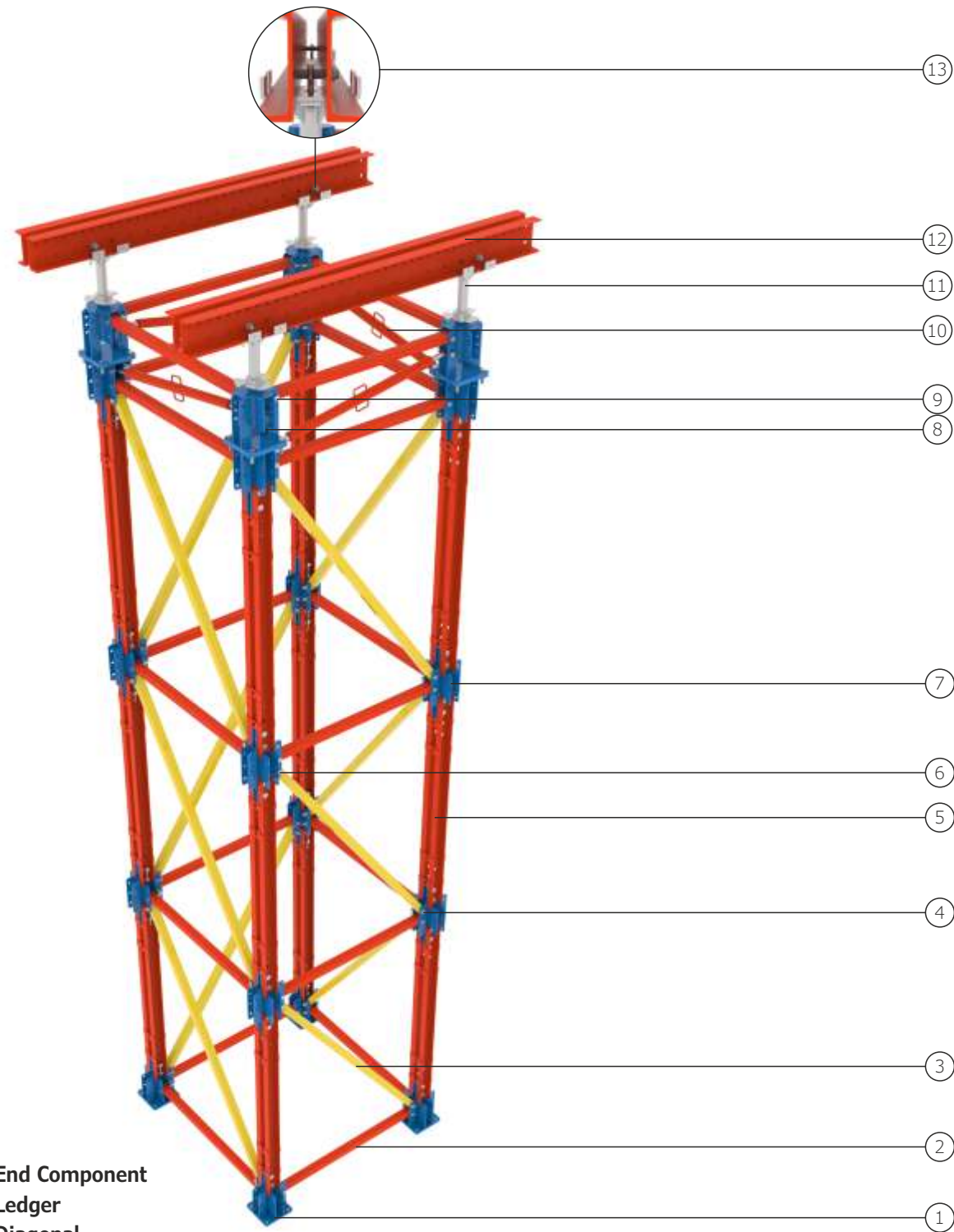
SPIDERKIT MS 300

SPIDERKIT is an engineering construction system for shoring solutions. SPIDERKIT is designed to carry load from heavy structures such as formworks, in-situ concrete bridges and temporary supports for components or to form pedestrian bridges. Due to the pre-assembly done on the ground without using a crane, high load-bearing capacity fasteners and few components the system can be assembled quickly.



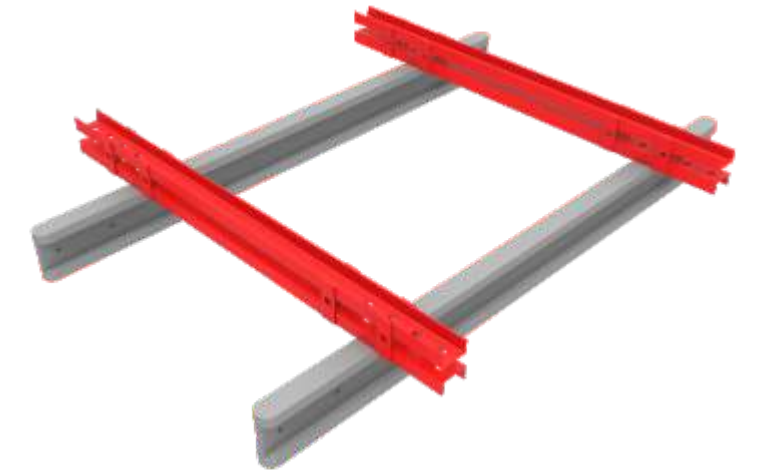
SPIDERKIT | MS 300



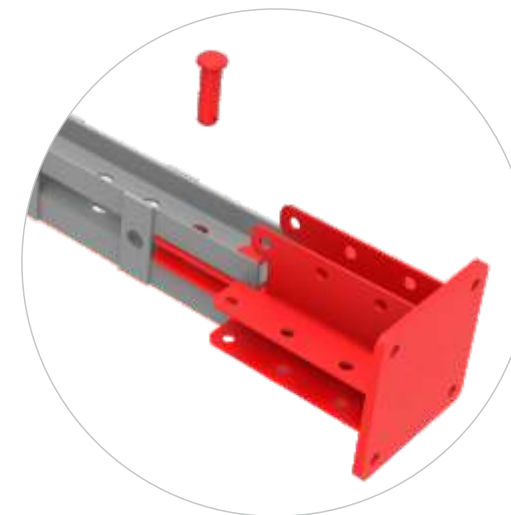
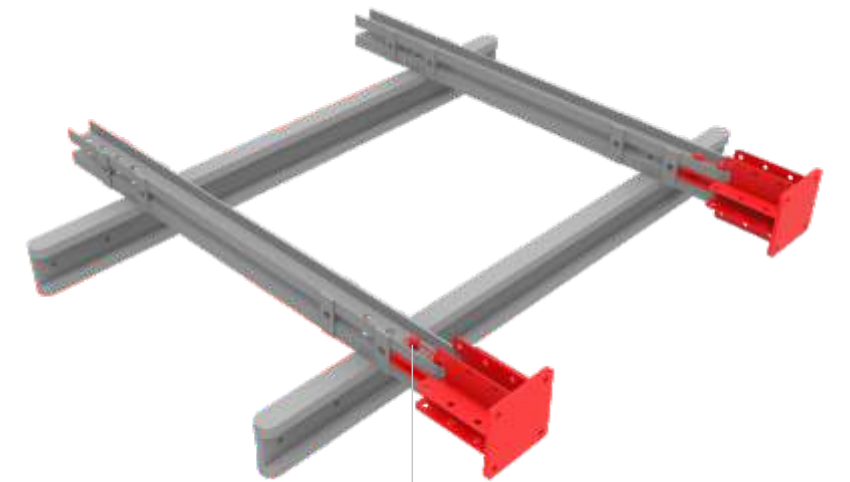


- 1 - Spiderkit MS End Component
- 2 - Spiderkit MS Ledger
- 3 - Spiderkit MS Diagonal
- 4 - Pin and Split Pin 20*130
- 5 - Spiderkit MS Beam
- 6 - Pin and Split Pin 30 * 100
- 7 - Spiderkit MS Beam Connector
- 8 - Spiderkit MS Jack Connector
- 9 - Bolt and Nut 20 * 80
- 10 - Spiderkit MS Push Pull Prop
- 11 - Spiderkit MS Jack Head
- 12 - OCF Main Rail
- 13 - Spiderkit MS Jack-Main Rail Connector

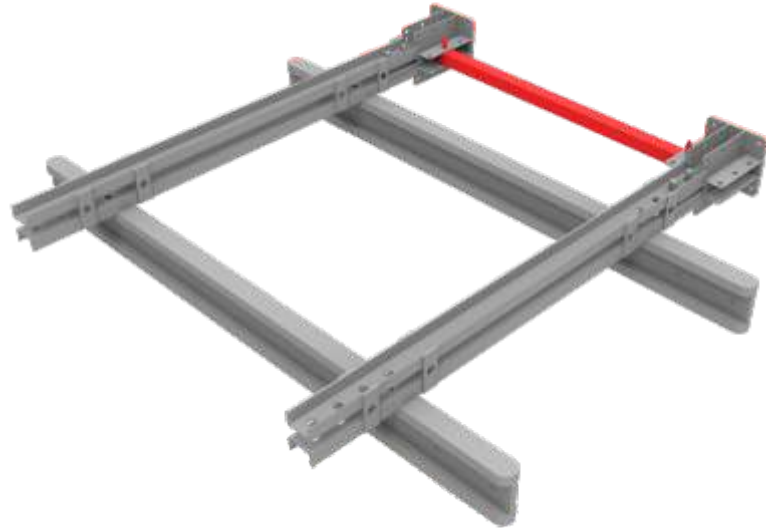
1. Assembly area should be flat. In order to ensure easy and simple assembly, work should be carried out approximately 20 cm above the assembly area. This height can easily be realised using H20 beams. Place Spiderkit MS Beams on the assembly area.



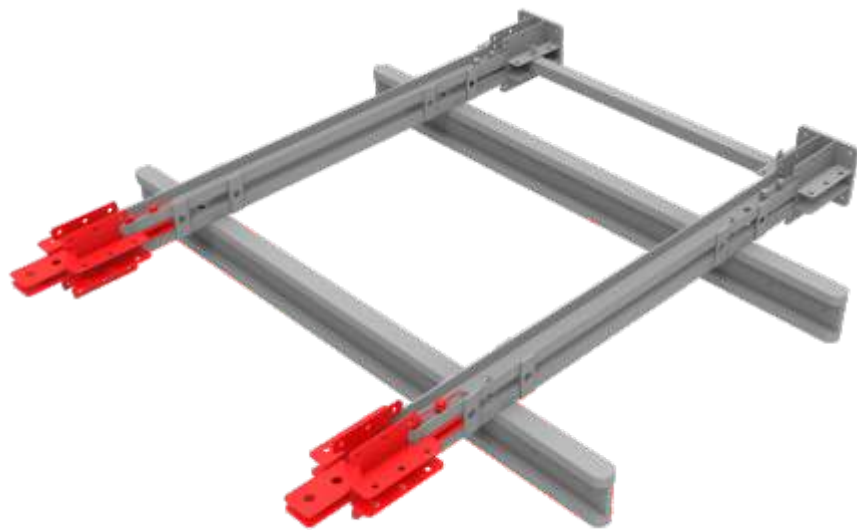
2. Insert the Spiderkit MS end components to the Spiderkit MS Beams. Fix the Spiderkit MS End Components in the Spiderkit MS Beams using 2x pin and pin split 30*100.



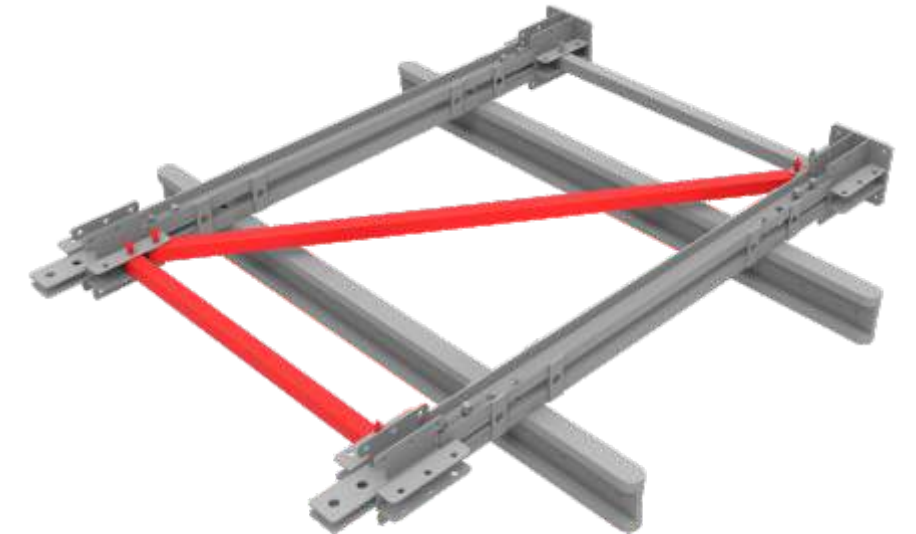
3. Insert the Spiderkit MS Ledger between the Spiderkit MS End Components. Insert the Spiderkit MS Ledger between the Spiderkit MS Beam Connectors.



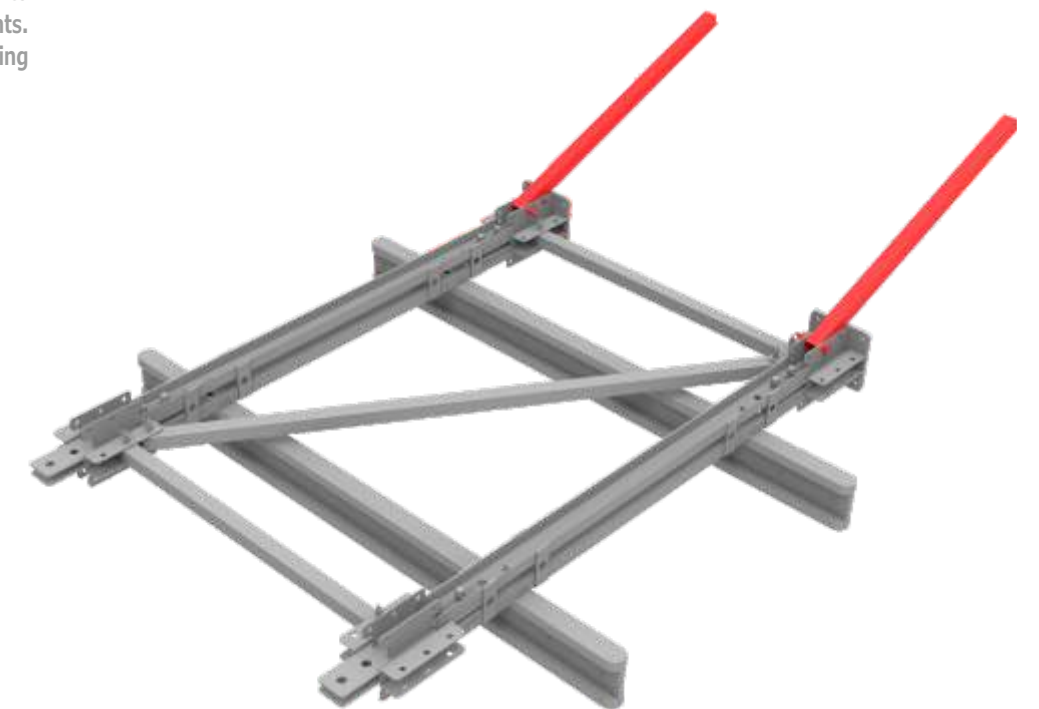
4. Insert the Spiderkit MS Beam Connector to the Spiderkit MS Beams. Fix the Spiderkit MS Beam Connector using 2x pins and pin splits 30*100.



5. Insert the Spiderkit MS Diagonal into the MS End Component and the Spiderkit MS Beam Connector. Fix the Spiderkit MS Diagonal using pins and pin splits 20*130.



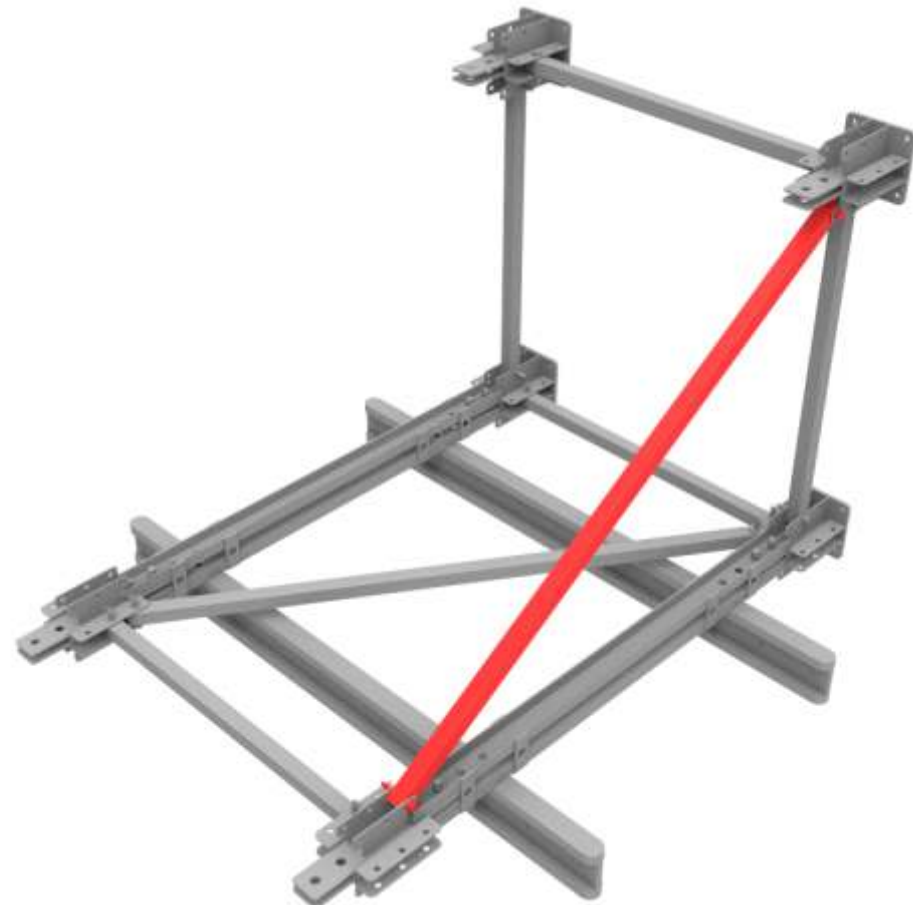
6. Insert the Spiderkit MS Ledger between the Spiderkit MS Beam Connectors. Fix the Spiderkit MS Ledger in the middle holes using pins and split pins 20*130.



7. Insert the Spiderkit MS Ledgers into the Spiderkit MS End Components. Fix the Spiderkit MS Ledgers using pins and split pins 20*130.



- 8. Fix the Spiderkit MS End Components to each Spiderkit MS Ledger using pins and pin splits 20*130.
- 9. Insert the Spiderkit MS Ledger between the Spiderkit MS End Components. Fix the Spiderkit MS Ledger using 20*130.

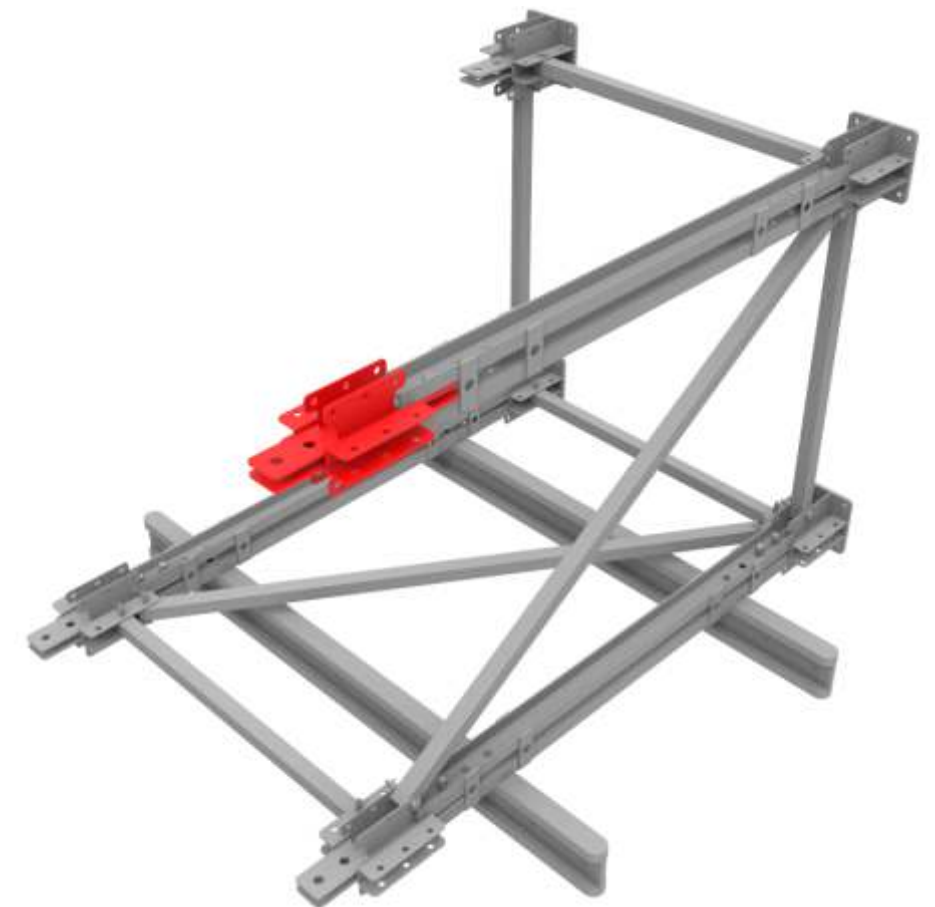


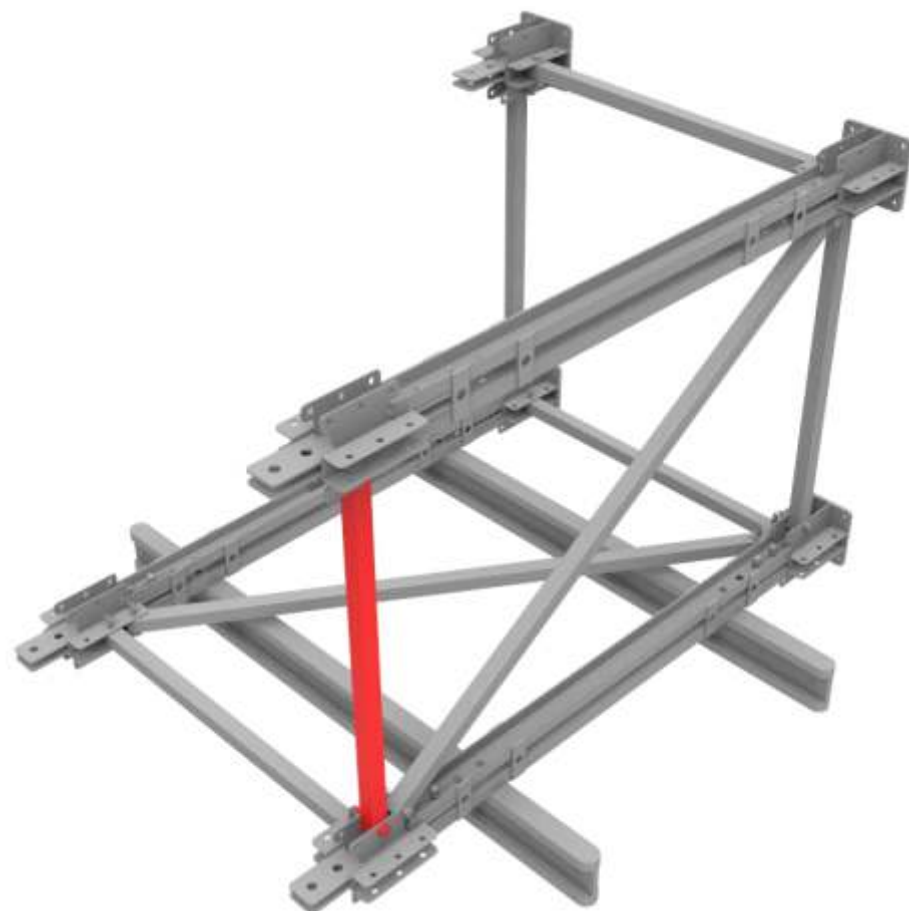
- 10. Insert the Spiderkit MS Diagonal into the Spiderkit MS Beam Connector and the Spiderkit MS End Component. Fix the Spiderkit MS Diagonal using pins and pin splits 20*130.

- 11. Insert the Spiderkit MS Beam into the Spiderkit MS End Components. Fix the Spiderkit MS Beam using 2x pins and split pins 30*100.



- 12. Insert the Spiderkit MS Beam Connector into the Spiderkit MS Beam. Fix the Spiderkit MS Beam using 2x pins and split pins 30*100.

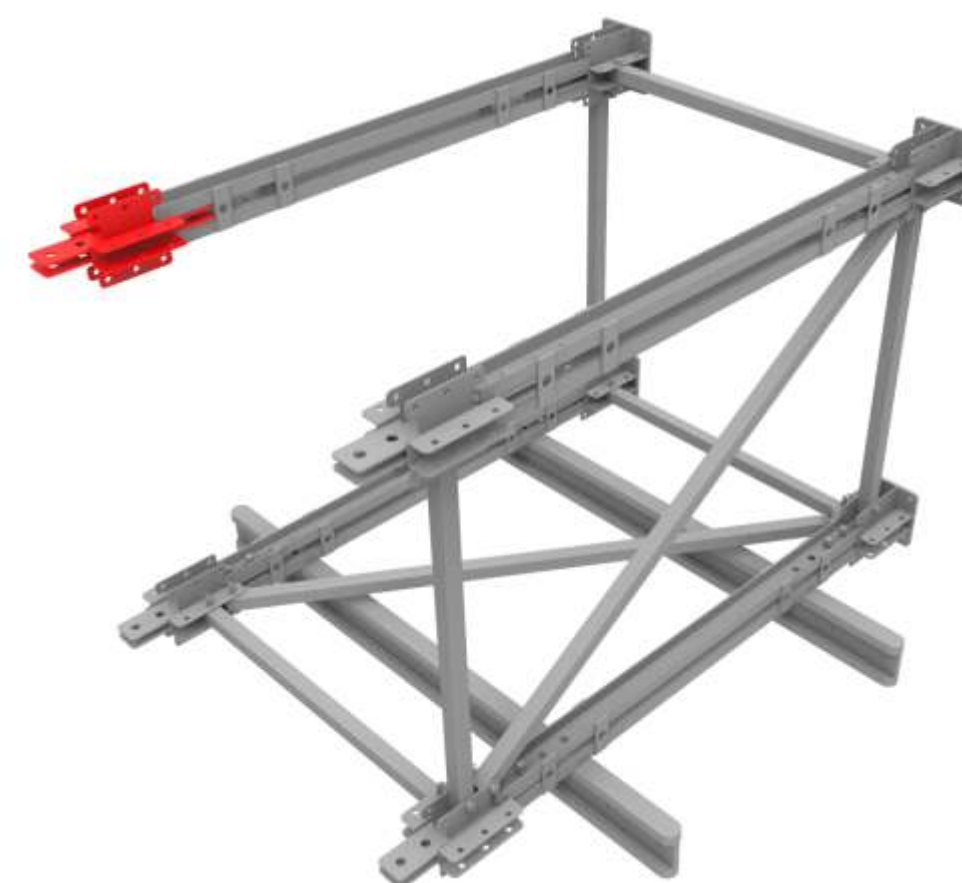




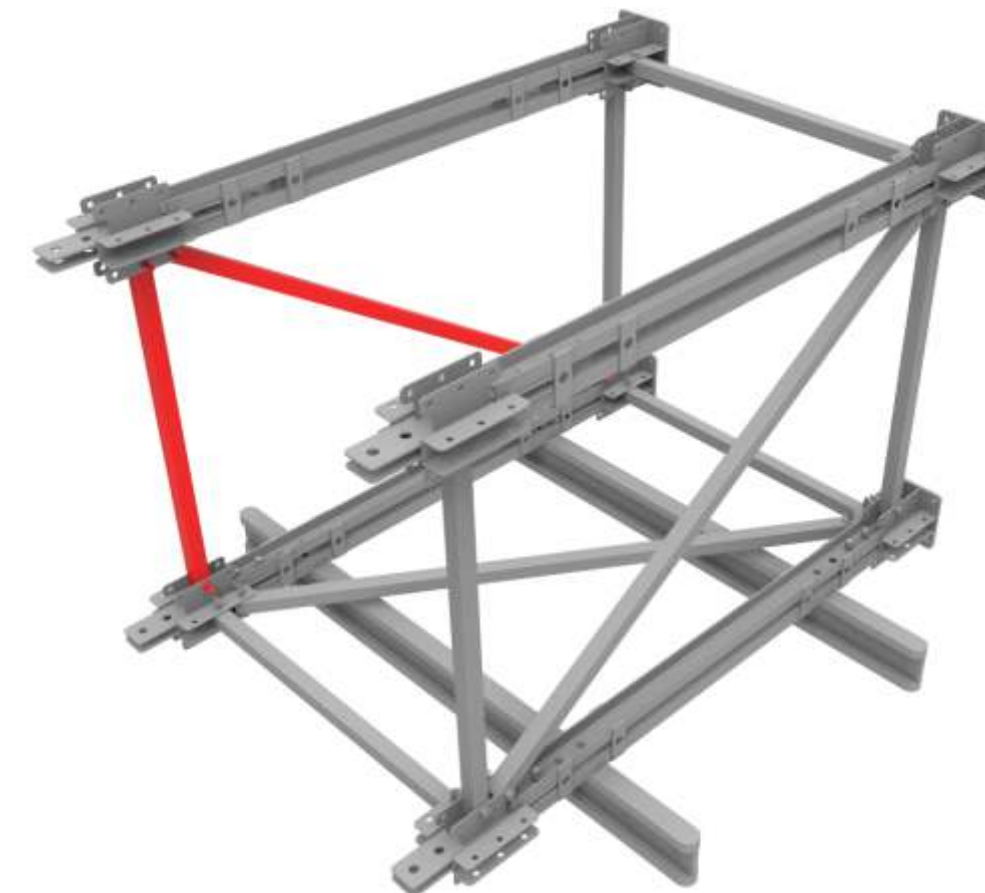
13. Insert the Spiderkit MS Ledger between the Spiderkit MS Beam Connectors. Fix the Spiderkit MS Ledger using pins and split pins 20*130.



14. Insert the Spiderkit MS Beam into the Spiderkit MS End Components. Fix the Spiderkit MS Beam using 2x pins and split pins 30*100.

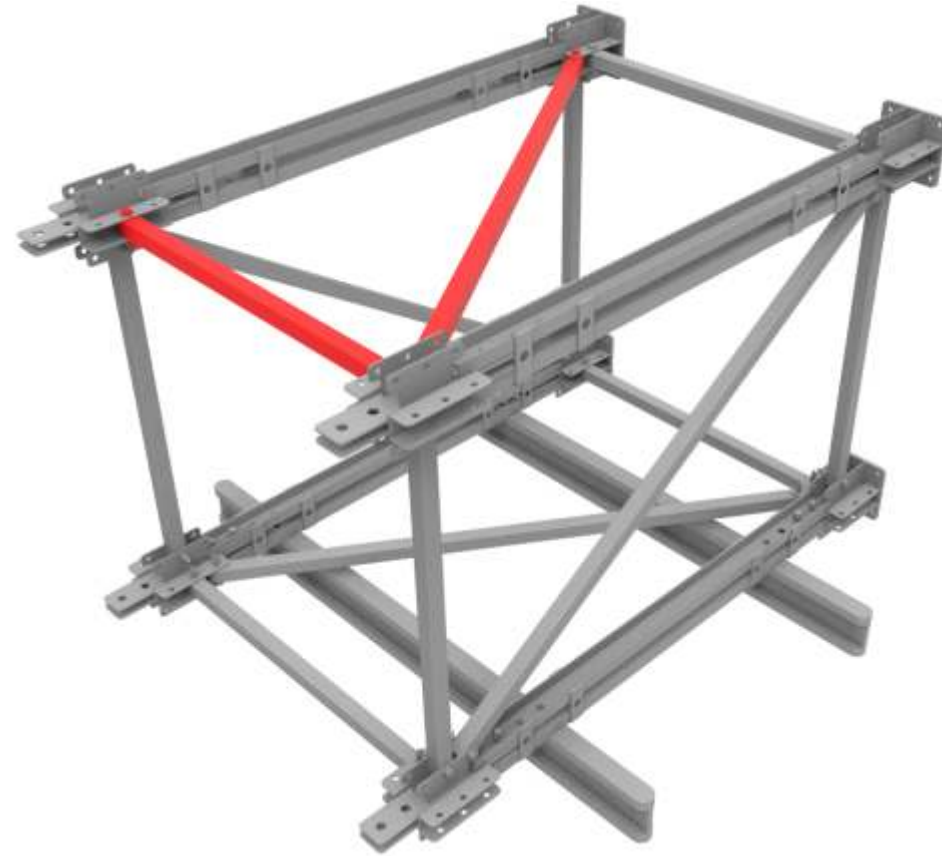


15. Insert the Spiderkit MS Beam Connector into the Spiderkit MS Beam. Fix the Spiderkit MS Beam using 2x pins and split pins 30*100.



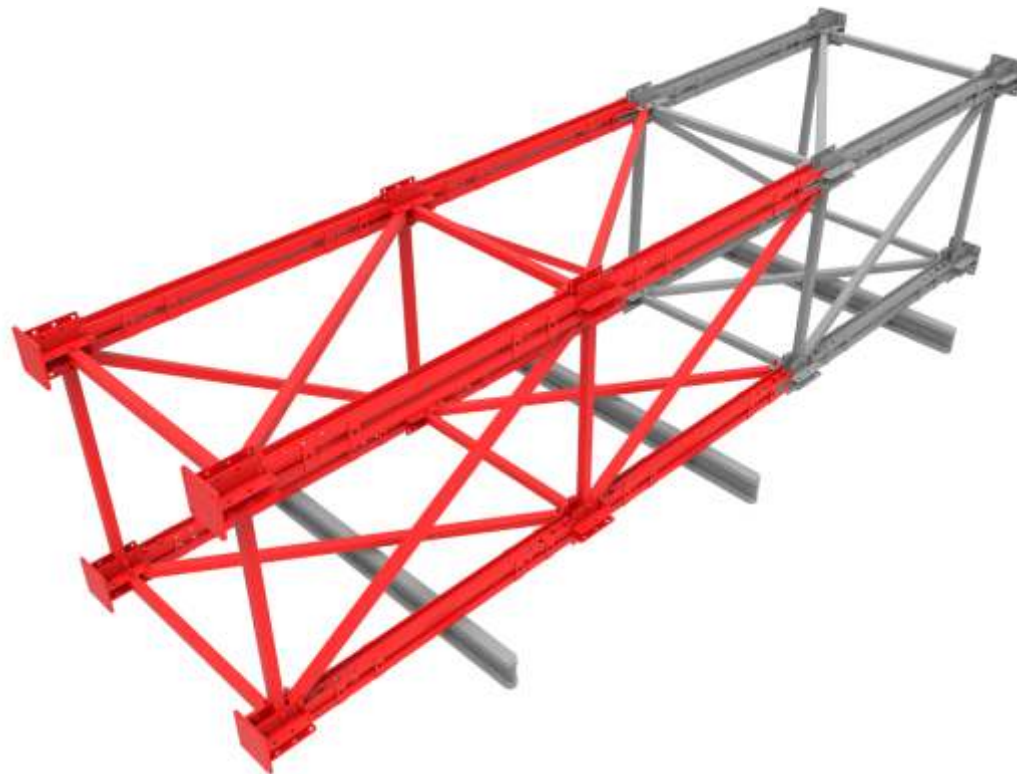
16. Insert the Spiderkit MS Diagonal into the MS End Component and the Spiderkit MS Beam Connector. Fix the Spiderkit MS Diagonal using pins and pin splits 20*130.

17. Insert the Spiderkit MS Ledger between the Spiderkit MS Beam Connectors. Fix the Spiderkit MS Ledger in the middle holes using pins and split pins 20*130.



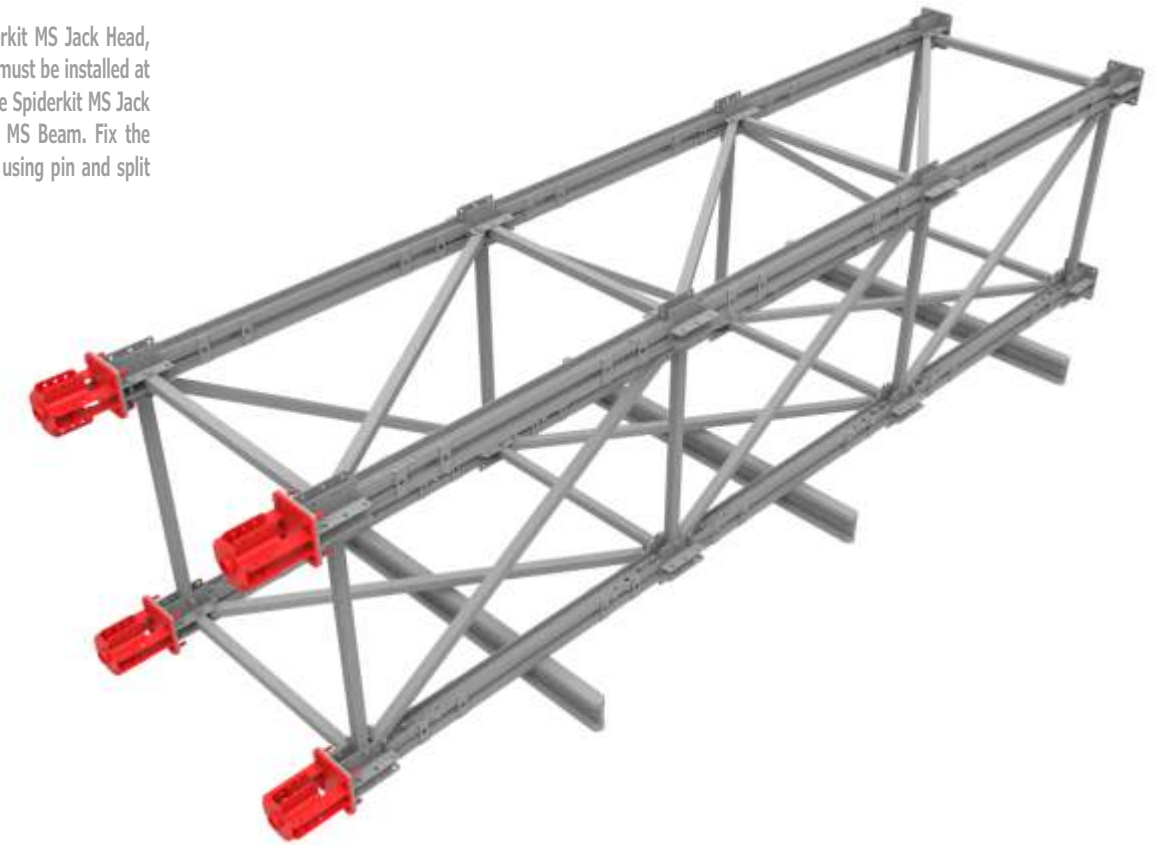
18. Insert the Spiderkit MS Diagonal into the MS End Component and the Spiderkit MS Beam Connector. Fix the Spiderkit MS Diagonal using pins and pin splits 20*130.

19. Insert the Spiderkit MS Ledger between the Spiderkit MS Beam Connectors. Fix the Spiderkit MS Ledger in the middle holes using pins and split pins 20*130.

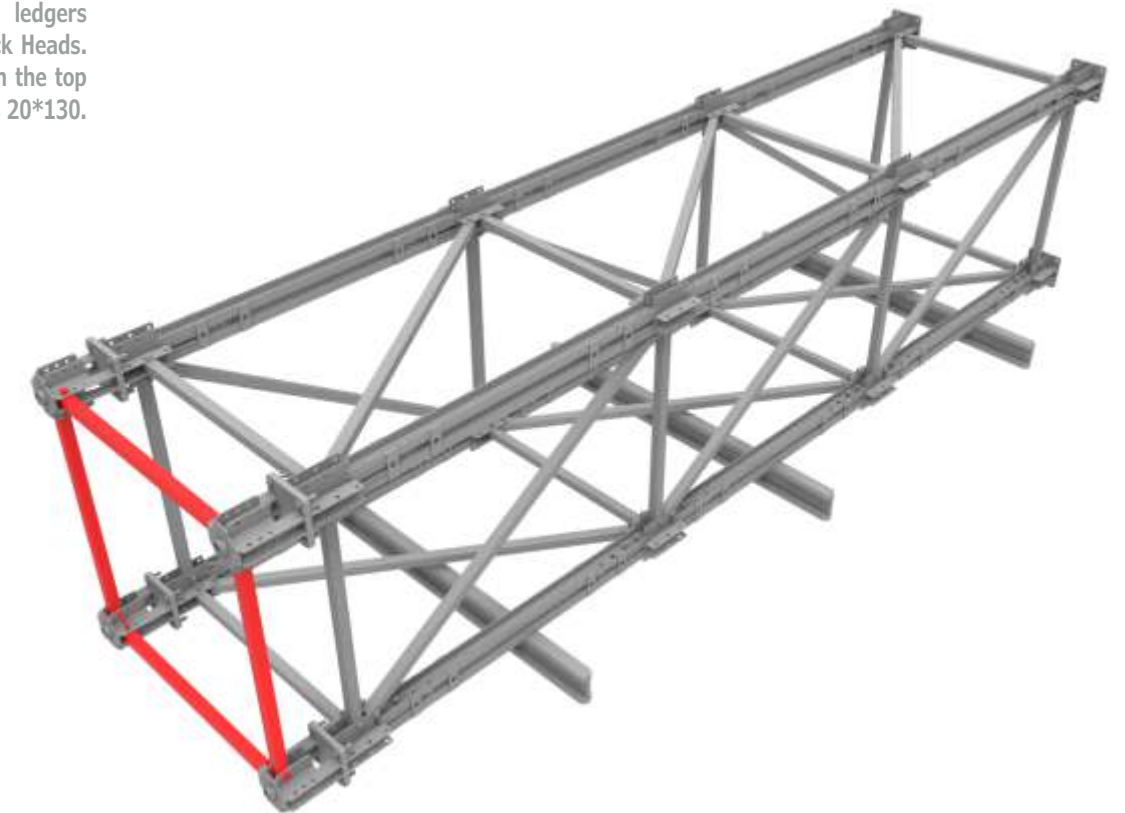


20. Make sure the diagonals are arranged in a spiral. All additional tower sections must be assembled in the same way as described in these instructions and as specified in the assembly drawings. The assembly drawings will indicate whether a Spiderkit MS Beam Connector or a Spiderkit MS End Component is to be mounted. Depending on whether an additional Spiderkit MS Beam or Spiderkit MS Jack Head is to be mounted.

21. When mounting the Spiderkit MS Jack Head, Spiderkit MS Jack Component must be installed at the end of the tower. Insert the Spiderkit MS Jack Component into the Spiderkit MS Beam. Fix the Spiderkit MS Jack Component using pin and split pin 30*100.



22. Insert the Spiderkit MS ledgers between the Spiderkit MS Jack Heads. Fix the Spiderkit MS Ledger in the top holes using pins and split pins 20*130.

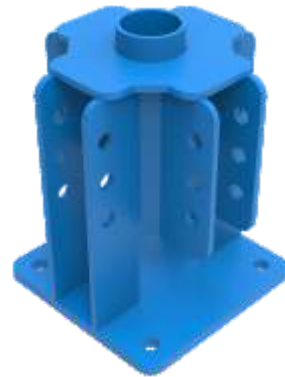


CODE	SIZE cm	WEIGHT kg
340101005	00	21,30



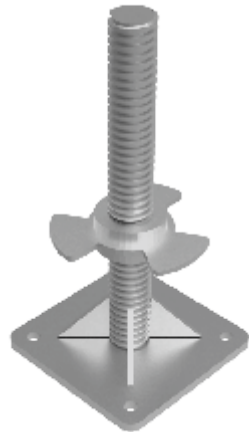
Spiderkit MS End Component

CODE	SIZE cm	WEIGHT kg
340102002	00	17,60



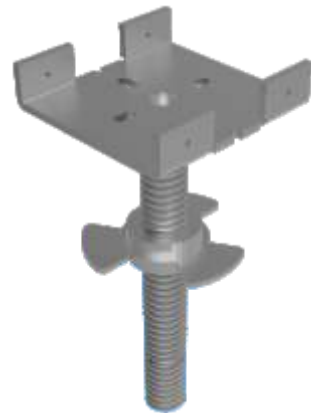
Spiderkit MS Jack Connector

CODE	SIZE cm	WEIGHT kg
340103003	050	16,00



Spiderkit MS Jack Base

CODE	SIZE cm	WEIGHT kg
340104003	050	16,00



Spiderkit MS Jack Head

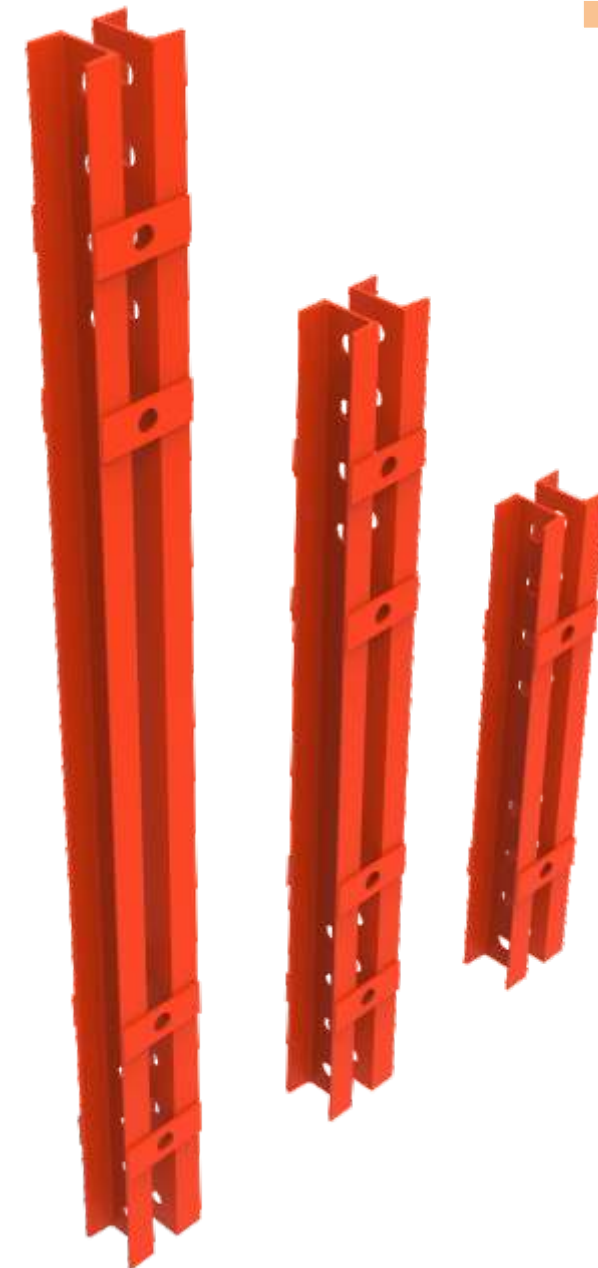
Spiderkit MS Beam Connector

CODE	SIZE cm	WEIGHT kg
340200002	00	16,00



Spiderkit MS Beam

CODE	SIZE cm	WEIGHT kg
340209505	095	20,90
340214505	145	31,90
340219505	195	42,90



CODE	SIZE cm	WEIGHT kg
340305005	050	1,90
340310005	100	4,60
340315005	150	7,30
340320005	200	10,00
340325005	250	12,70

Spiderkit MS Ledger

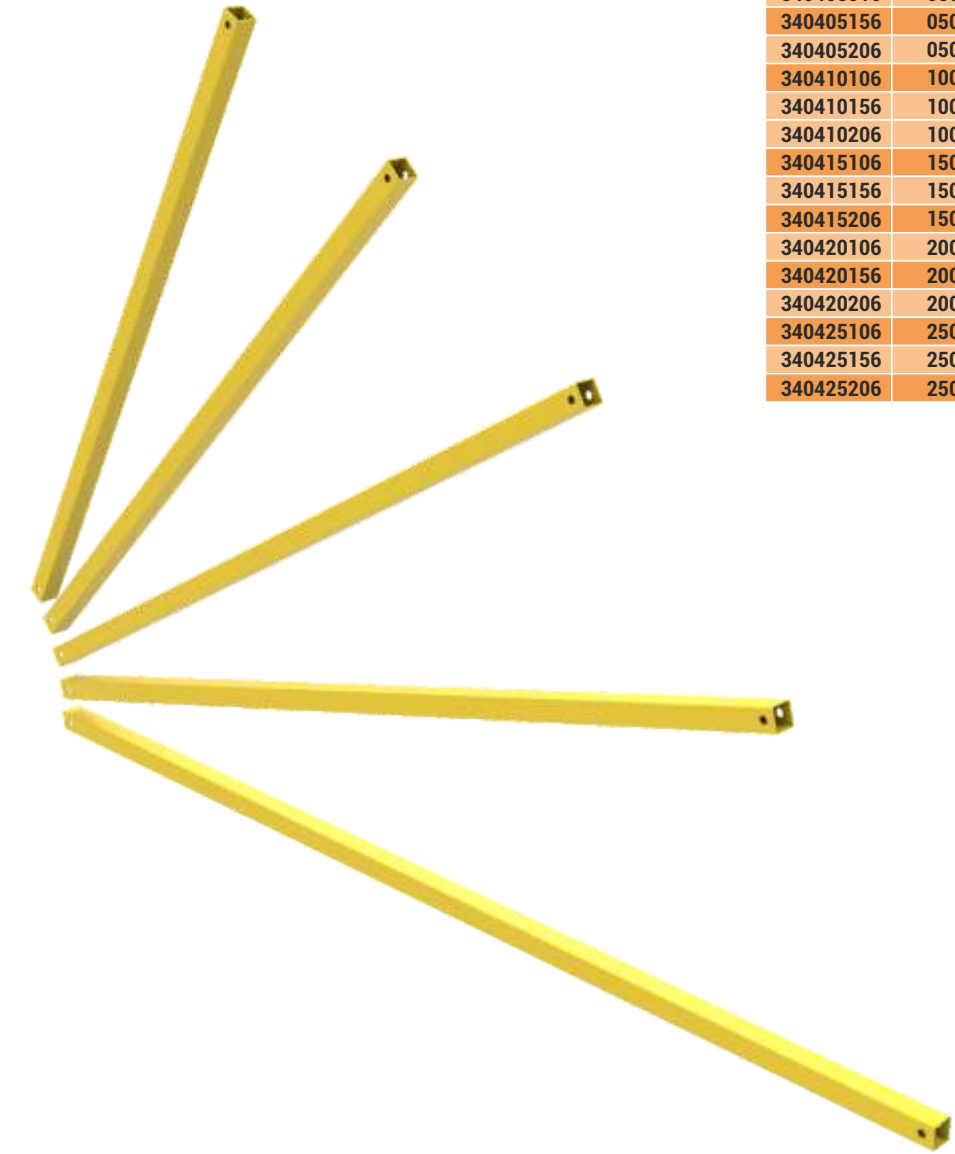


CODE	SIZE cm	WEIGHT kg
340505005	050	9,90
340510005	100	12,00
340515005	150	15,00
340200005	200	16,50

Spiderkit MS Push-Pull Prop

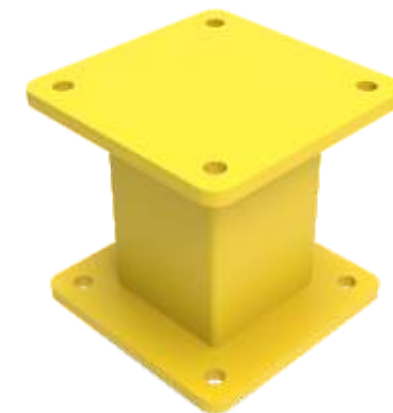


Spiderkit MS Diagonal



CODE	SIZE cm	WEIGHT kg
340405016	050-100	5,50
340405156	050-150	7,90
340405206	050-200	10,30
340410106	100-100	7,00
340410156	100-150	9,00
340410206	100-200	11,10
340415106	150-100	9,00
340415156	150-150	10,60
340415206	150-200	12,50
340420106	200-100	11,10
340420156	200-150	12,50
340420206	200-200	14,10
340425106	250-100	13,40
340425156	250-150	14,50
340425206	250-200	16,00

Spiderkit MS Height Adjustment



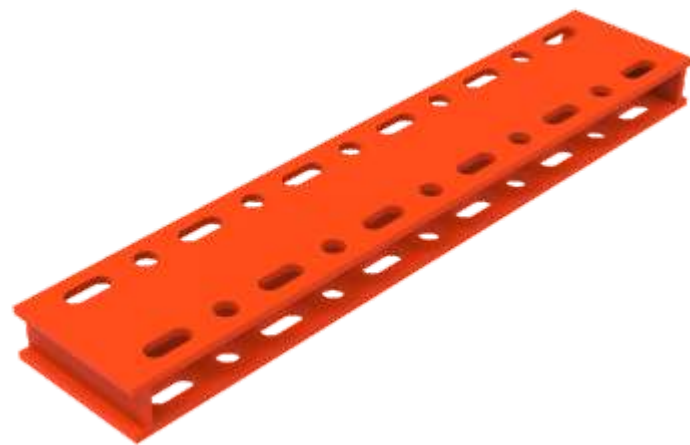
CODE	SIZE cm	WEIGHT kg
340601006	010	17,20
340601506	015	18,30
340602006	020	19,40
340602506	025	20,50
340603006	030	27,10

CODE	SIZE cm	WEIGHT kg
260102005	200	100,00
260103005	300	150,00
260104005	400	200,00
260106005	600	300,00



OCF Main Rail

CODE	SIZE cm	WEIGHT kg
261100105	075	14,40



OCF Main Rail Connector

CODE	SIZE cm	WEIGHT kg
340800003	000	0,50

Spiderkit OCF Main Rail Connector



Pin and Split Pin

CODE	SIZE cm	WEIGHT kg
H115P20130	20*130	0,30
H115P30100	30*100	0,60



Bolt and Nut

CODE	SIZE cm	WEIGHT kg
H115C20008	20*80	0,40



Hydraulic Pump 400kN

CODE	SIZE mm	WEIGHT kg
340700400	15	25,00



Maximum adjustment distance 15mm